

PARTS MANUAL

**H170FT, H175FT36, F190FT
(A299)**

CUSTOMER EDITION

HYSTER

SECTIONS

1	FRAME
2	ENGINE ASSEMBLY
3	ENGINE ASSEMBLY - LPG
4	FUEL SYSTEM
5	ELECTRICAL SYSTEM
6	TRANSMISSION
7	DRIVE AXLE
8	STEERING SYSTEM
9	BRAKE SYSTEM
10	HYDRAULIC SYSTEM
11	MAST-TWO STAGE LIMITED FREE-LIFT
12	MAST-THREE STAGE FULL FREE-LIFT
13	OPTIONS
14	FIELD CONVERSION KITS
15	NUMERICAL INDEX

This Parts Manual is divided into 15 major sections which are listed above. Quick reference to these sections can be made by placing the right thumb on the tab of the desired section, bending the book back and thumbing the pages to the corresponding tab.

**Thanks very much for your reading,
Want to get more information,
Please click here, Then get the complete
manual**

JustClickHere 

NOTE:

**If there is no response to click on the link above,
please download the PDF document first, and then
click on it.**

**Have any questions please write to me:
admin@servicemanualperfect.com**

TABLE OF CONTENTS

DESCRIPTION	PAGE
A	
ACCUMULATOR	13-10
ADD ON OPTION KITS	14-2
ADD ON TELEMETRY KITS	14-4
AIR INTAKE	4-2
AIR INTAKE AND FILTER	
GM 5.7L LPG	4-16
AIR INTAKE MANIFOLD	
CUMMINS QSB 3.3L DIESEL	2-48
ALTERNATOR AND MOUNTING	
CUMMINS QSB 3.3L DIESEL	5-16
ARMREST SLIDER ASSEMBLY	1-54
AUXILIARY FUNCTION HOSES	
THREE STAGE FULL FREE-LIFT	12-24
TWO STAGE LIMITED FREE-LIFT	11-18
AUXILIARY ONE SECTION	
THREE AND FOUR FUNCTION	10-22
AUXILIARY TWO SECTION	
FOUR FUNCTION	10-24
B	
BACK-UP ALARM	13-6
BATTERY AND CONTROL CABLE DISCONNECT SWITCH	5-24
BATTERY CABLES	
CUMMINS QSB 3.3L DIESEL	5-20
GM 5.7L LPG	5-22
BRAKE AND INCHING PEDAL CONVERSION	14-2
BRAKE COOLING SYSTEM	
SINGLE AND DUAL PEDAL	9-16
BRAKE PEDAL	
DUAL PEDAL	9-4
SINGLE PEDAL	9-2
BRAKE PEDAL MOUNTING	9-6
ALTERNATE MOUNTING	9-8
BRAKE VALVE ASSEMBLY	9-10
BUZZER GROUP	5-54
C	
CAB	
ATTACHING PARTS - SHEET 1 OF 2	1-26
ATTACHING PARTS - SHEET 2 OF 2	1-28
LEFT HAND DOOR ASSEMBLY	1-34
MAIN ASSEMBLY	1-24
RIGHT HAND DOOR ASSEMBLY	1-36
WINDOW WIPER SYSTEM	1-32
WINDOWS	1-30
CAMSHAFT	
CUMMINS QSB 3.3L DIESEL	2-30

TABLE OF CONTENTS (continued)

DESCRIPTION	PAGE
CAMSHAFT AND TIMING	
GM 5.7L LPG	3-30
CARRIAGE	11-12
CHARGE PUMP	6-20
COMPARTMENT PLATFORM	1-18
CONTROL VALVE	
THREE SPEED TRANSMISSION	6-18
CONTROL VALVE AND STEERING UNIT ASSEMBLY	
FOUR FUNCTION	10-14
THREE FUNCTION	10-12
COOLING SYSTEM	
CUMMINS QSB 3.3L DIESEL	2-6
GM 5.7L LPG	3-4
COUNTERWEIGHTS AND FENDERS	1-14
COWL ELECTRICAL	
ELECTRIC HYDRAULIC	5-12
COWL MOUNT	1-20
ALTERNATE PART	1-21
CRANKCASE BREATHER	
CUMMINS QSB 3.3L DIESEL	2-40
CRANKSHAFT	
CUMMINS QSB 3.3L DIESEL	2-38
CYLINDER BLOCK	
CUMMINS QSB 3.3L DIESEL	2-18
GM 5.7L LPG	3-14
CYLINDER HEAD	
CUMMINS QSB 3.3L DIESEL	2-20
CYLINDER HEAD AND EXHAUST MANIFOLD	
GM 5.7L LPG	3-22
D	
DIFFERENTIAL	7-6
DIPSTICK AND BREATHER	10-36
DRIVE AXLE AND ATTACHING PARTS	
WET BRAKE	7-4
DRIVE AXLE HOUSING AND HUB	7-8
DRIVE TIRE AND WHEEL	7-2
DUAL MIRRORS	
WITH CAB	13-8
WITH OVERHEAD GUARD	13-9
E	
E-HYDRAULIC CONTROL CONVERSION KITS	
ELECTRICAL ARRANGEMENT	
CUMMINS QSB 3.3L DIESEL	5-4
GM 5.7L LPG	5-6
ELECTRICAL SYSTEM	
RIGHT HAND CHASSIS - CUMMINS QSB 3.3L DIESEL	5-8
RIGHT HAND CHASSIS - GM	5-10

TABLE OF CONTENTS (continued)

DESCRIPTION	PAGE
ELECTRO HYDRAULIC POPPET VALVE THREE AND FOUR FUNCTION	10-20
ELECTRONIC CONTROL LEVERS MINI-LEVER MODULE (FOUR FUNCTION) (→ S/N A299V01533H)	5-44
MINI-LEVER MODULES (THREE FUNCTION) (→ S/N A299V01533H)	5-42
ELECTRONIC CONTROL MODULE AND SENSORS CUMMINS QSB 3.3L DIESEL	5-26
ELECTRONIC MINI LEVER LABELS SINGLE FUNCTION	1-56
ENGINE ELECTRICAL SYSTEM CUMMINS QSB 3.3L DIESEL	5-14
ENGINE MOUNTING CUMMINS QSB 3.3L DIESEL	2-13
GM 5.7L LPG	3-8
EXHAUST MANIFOLD CUMMINS QSB 3.3L DIESEL	2-46
EXHAUST SYSTEM CUMMINS QSB 3.3L DIESEL	2-4
WITH CATALYTIC CONVERTER - GM 5.7L LPG	3-2
F	
FAN ASSEMBLY CUMMINS QSB 3.3L DIESEL	2-12
GM 5.7L LPG	3-12
FENDERS	1-16
FIRE EXTINGUISHER WITH CAB	13-4
WITH OVERHEAD GUARD	13-5
FLOORPLATES AND COVERS	1-12
FLYWHEEL HOUSING CUMMINS QSB 3.3L DIESEL	2-16
GM 5.7L LPG	3-10
FORK POSITIONER THREE STAGE FULL FREE-LIFT	12-22
TWO STAGE LIMITED FREE-LIFT	11-14
FORKS	1-64
FORWARD CLUTCH HIGH AND OUTPUT SHAFT THREE SPEED TRANSMISSION - FWD2	6-14
FORWARD CLUTCH LOW AND SECOND SHAFT THREE SPEED TRANSMISSION - FWD1, RANGE2	6-12
FREE LIFT CYLINDER THREE STAGE FULL FREE-LIFT	12-15
FRONT GEAR HOUSING CUMMINS QSB 3.3L DIESEL	2-29
FUEL FILTER CUMMINS QSB 3.3L DIESEL	4-4
FUEL FILTER PLUMBING CUMMINS QSB 3.3L DIESEL	4-6

TABLE OF CONTENTS (continued)

DESCRIPTION	PAGE
FUEL INJECTION PUMP	
CUMMINS QSB 3.3L DIESEL	4-8
FUEL INJECTOR AND INJECTOR PLUMBING	
CUMMINS QSB 3.3L DIESEL	4-12
FUEL PUMP PLUMBING	
CUMMINS QSB 3.3L DIESEL	4-10
FUEL SYSTEM	
CUMMINS QSB 3.3L DIESEL	4-14
GM 5.7L LPG - SHEET 1 OF 2	4-18
GM 5.7L LPG - SHEET 2 OF 2	4-22
FULL SUSPENSION SEAT	
ELECTRO-HYDRAULIC - SWIVEL AND NON-SWIVEL (S/N A299H01535H →)	1-48
SHEET 2 OF 2 (S/N A299H01535H →)	1-52
WITH ELECTRONIC CONTROLS (→ S/N A299V01533H)	1-44
FULL SUSPENSION SWIVEL SEAT	
WITH ELECTRONIC CONTROLS (→ S/N A299V01533H)	1-46
FUSE BOX	
GM 5.7L LPG	3-24
G	
GEAR PUMP	10-10
GEAR PUMP ASSEMBLY	10-8
H	
HEADER HOSES	
THREE STAGE FULL FREE-LIFT	12-20
TWO STAGE LIMITED FREE-LIFT	11-16
HEATER	1-38
HEATER CONTROL	1-43
HEATER HOSE	
DIESEL	1-40
HEATER HOSES	
GM 5.7 LPG	1-42
HOIST HOSE AND ATTACHING PARTS	10-34
HOOD ASSEMBLY	1-2
HYDRAULIC FILTER	10-4
HYDRAULIC SUPPLY AND RETURN	10-2
I	
INNER MAST	
THREE STAGE FULL FREE-LIFT	12-10
TWO STAGE LIMITED FREE-LIFT	11-6
INSTRUMENT CLUSTER	5-31
INTAKE MANIFOLD AND ATTACHING PARTS	
GM 5.7L LPG	3-16
INTERIOR PANELS AND COVERS	1-6
INTERMEDIATE MAST	
THREE STAGE FULL FREE-LIFT	12-6

TABLE OF CONTENTS (continued)

DESCRIPTION	PAGE
L	
LABELS	
EXTERIOR	1-62
INTERIOR	1-60
LIFTING BRACKET	
CUMMINS QSB 3.3L DIESEL	2-14
LIFTING EYE	13-12
LIGHT CONVERSION KITS	14-4
LIGHTS	
AMBER LIGHTS - WITH THREE STAGE MAST	5-38
BRAKE, TAIL, BACKUP, SIDE, TURN SIGNALS, WORK, STROBE - WITH CAB	5-32
BRAKE, TAIL, BACKUP, SIDE, TURN SIGNALS, WORK, STROBE - WITH OVERHEAD GUARD	5-34
LOAD WEIGH ELECTRICAL	5-52
M	
MAIN LIFT CYLINDER	
THREE STAGE FULL FREE-LIFT	12-13
TWO STAGE LIMITED FREE-LIFT	11-9
MAST ELECTRICAL	5-50
MINI LEVER MODULE LABELS	
HYDRAULIC CONTROL FUNCTIONS	1-58
MINI-LEVER CONTROLS	
WITH ARMREST - THREE FUNCTION (S/N A299V01534H →)	5-46
WITH ARMREST - FOUR FUNCTION (S/N A299V01534H →)	5-48
MISCELLANEOUS CONVERSION KITS	14-3
MONOTROL PEDAL ASSEMBLY	
→ S/N A299V01702K	4-28
O	
OIL FILLER ARRANGEMENT	2-28
OIL FILTER AND COOLER	
CUMMINS QSB 3.3L DIESEL	2-27
OIL LEVEL GAUGE	
CUMMINS QSB 3.3L DIESEL	2-26
OIL PAN	
CUMMINS QSB 3.3L DIESEL	2-24
GM 5.7L LPG	3-26
OIL PUMP	
GM 5.7L LPG	3-32
OIL PUMP AND FRONT GEAR COVER	
CUMMINS QSB 3.3L DIESEL	2-22
OUTER MAST	
THREE STAGE FULL FREE-LIFT	12-2
TWO STAGE LIMITED FREE-LIFT	11-2
OUTLET SECTION	
THREE AND FOUR FUNCTION	10-26
OVERHEAD GUARD	1-22

TABLE OF CONTENTS (continued)

DESCRIPTION	PAGE
P	
PARK BRAKE ASSEMBLY	
→ S/N A299V01636J	9-12
S/N A299V01637K →	9-14
PISTON AND CONNECTING ROD	
CUMMINS QSB 3.3L DIESEL	2-36
POWER DISTRIBUTION MODULE	5-28
PULLEY SYSTEM	
GM 5.7L LPG	3-20
PUMP DRIVE	6-22
R	
RADIATOR ASSEMBLY	2-10
RADIATOR MOUNTING	
CUMMINS QSB 3.3L DIESEL	2-8
GM 5.7L LPG	3-6
REMOTE KEY SWITCH	5-30
REVERSE CLUTCH AND FIRST SHAFT	
THREE SPEED TRANSMISSION - REV1, RANGE 1	6-16
ROCKER ARM ASSEMBLY	
GM 5.7L LPG	3-28
ROCKER ARM SHAFT	
CUMMINS QSB 3.3L DIESEL	2-34
S	
SEALED ALTERNATOR AND MOUNTING	
CUMMINS QSB 3.3L DIESEL	5-18
SEAT CONVERSION KITS	14-2
SEAT PAN AND COVERS	1-8
SOUND ABATEMENT	1-10
STARTER MOTOR	
CUMMINS QSB 3.3L DIESEL	5-19
STARTING AID	
CUMMINS QSB 3.3L DIESEL	2-50
STEER AXLE	8-10
STEER COLUMN AND ATTACHING PARTS	8-2
STEER CYLINDER	8-13
STEER TIRE AND WHEEL	8-14
STEERING COLUMN ASSEMBLY	8-4
STEERING CONTROL UNIT	8-6
STEERING LINES	8-8
STROBE LIGHT	
LED	13-2
T	
THERMOSTAT	
CUMMINS QSB 3.3L DIESEL	2-54
THROTTLE PEDAL AND ATTACHING PARTS	
MONOTROL PEDAL (→ S/N A299V01702K)	4-26

TABLE OF CONTENTS (continued)

DESCRIPTION	PAGE
THROTTLE PEDAL ASSEMBLY AND ATTACHING PARTS	
MONOTROL (S/N A299V01703K →)	4-30
STANDARD PEDAL	4-24
TILT CYLINDER AND MAST INSTALLATION	10-28
TILT CYLINDERS	10-32
TILT HYDRAULICS	10-30
TILT SECTION	
THREE AND FOUR FUNCTION	10-18
TORQUE CONVERTER	
CUMMINS QSB 3.3L DIESEL	6-4
TORQUE CONVERTER AND FLYWHEEL	
GM 5.7L LPG	3-11
TRANSMISSION ASSEMBLY	
THREE SPEED - SHEET 1 OF 2	6-8
THREE SPEED - SHEET 2 OF 2	6-10
TRANSMISSION COOLING	
WITH EXTERNAL OIL COOLER	6-6
TRANSMISSION ELECTRICAL SYSTEM	
THREE SPEED TRANSMISSION	5-40
TRANSMISSION MOUNT	6-2
TURBOCHARGER	
CUMMINS QSB 3.3L DIESEL	2-42
TURBOCHARGER PLUMBING	
CUMMINS QSB 3.3L DIESEL	2-44
U	
UNLOADER VALVE	10-6
V	
VALVE ASSEMBLY, LIFT AND LOWER	
ELECTRONIC CONTROL VALVE - THREE AND FOUR FUNCTION	10-16
VALVE COVER	
CUMMINS QSB 3.3L DIESEL	2-32
VIBRATION DAMPER	
CUMMINS QSB 3.3L DIESEL	2-51
W	
WATER OUTLET CONNECTION	
CUMMINS QSB 3.3L DIESEL	2-55
WATER PUMP AND PULLEY	
CUMMINS QSB 3.3L DIESEL	2-52
WATER SEPARATOR	
CUMMINS QSB 3.3L DIESEL	4-5
WET BRAKE ASSEMBLY	7-10
WIRE HARNESS	
ALTERNATOR-D - CUMMINS QSB 3.3L DIESEL	5-94
AMBER LIGHTS - 3 STAGE MAST	5-106
BUZZER	5-110
ELECTRONIC CONTROL VALVE - THREE FUNCTION	5-100
ELECTRONIC CONTROL VALVE - FOUR FUNCTION	5-102

TABLE OF CONTENTS (continued)

DESCRIPTION	PAGE
ENGINE - CUMMINS QSB 3.3L DIESEL	5-56
JUMPER - HEAD/WORK LIGHTS, 3 STAGE MAST	5-108
LIGHTS WITH OVERHEAD GUARD	5-104
REAR - CUMMINS QSB 3.3L DIESEL	5-78
REAR - GM 5.7L LPG	5-80
RIGHT HAND CHASSIS - CUMMINS QSB 3.3L DIESEL (→ S/N A299V01572H)	5-58
RIGHT HAND CHASSIS - CUMMINS QSB 3.3L DIESEL (S/N A299V01573H →)	5-66
RIGHT HAND CHASSIS - GM 5.7L LPG	5-72
SEALED ALTERNATOR-DS - CUMMINS QSB 3.3L DIESEL	5-90
SEAT JUMPER (→ S/N A299V01572H)	5-64
TRANSMISSION - THREE SPEED	5-96
WIRE HARNESS (COWL)	
WITH FORWARD AND REVERSE LEVER - WITHOUT RETURN TO SET TILT AND MODULATED	
BRAKES	5-82
WITH MONOTROL - WITH RETURN TO SET TILT AND MODULATED BRAKES	5-86

ABBREVIATIONS QUICK REFERENCE SHEET

Listed below are abbreviations used in parts manuals to denote the following expressions:

TERM	DEFINITION	TERM	DEFINITION
Amp	Amperes	FRE	Freezer Environment
AR	As Required	in.	inches
BDI	Battery Discharge Indicators	LPG	Liquefied Petroleum Gas
BWI	Brush Wear Indicator	MAP	Manifold Absolute Pressure
CE	Communicator End	mm	millimeters
CRE	Corrosive Environment	MSTS	Microprocessor Spark Timing System
D/B	Date Break	NPT	National Pipe Threads
dbA	Decibel "A" Scale	O/S	Oversize
DE	Drive End	PTO	Power Take Off
ECH	Empty Container Handler	RPM	Revolutions per Minute
ECH-3	Empty Container Handler - 3 High Stacking	S/N	Serial Number
ECH-4	Empty Container Handler - 4 High Stacking	TMM	Truck Management Module
ECH-5	Empty Container Handler - 5 High Stacking	UL Type D	Diesel-Powered Safety Rating
ECH-6	Empty Container Handler - 6 High Stacking	UL Type DS	Diesel-Powered Safety Rating
ECH-7	Empty Container Handler - 7 High Stacking	UL Type E	Battery-Powered Safety Rating
ECM	Electronic Control Module	UL Type EE	Battery-Powered Safety Rating
ECN	Engineering Change Notice	UL Type ES	Battery-Powered Safety Rating
EEPROM	Electrically Erasable Programmable Read Only Memory	UL Type G	Gasoline-Powered Safety Rating
EPA	US Environmental Protection Agency	UL Type GS	Gasoline-Powered Safety Rating
EPROM	Electrically Programmable Read Only Memory	UL Type LP	Gas-Powered Safety Rating
		UL Type LPS	LP Gas-Powered Safety Rating
		U/S	Undersize
		UL	Underwriters Laboratory
		V	Volts

HOW TO USE THE ILLUSTRATED PARTS MANUAL

This parts manual describes and illustrates assemblies, subassemblies, and detail parts needed for service replacement.

The different constructions are indicated by keys and footnotes. The callouts correspond to descriptions found on the next page.

HYSTER UNIT CODE D001 NORTH AMERICA 06/2001

TABLE OF CONTENTS

DESCRIPTION	PAGE
AIR INTAKE AND FILTER DIESEL (⇒ D/B 11/98)	3-22
AIR INTAKE AND FILTER DIESEL (D/B 11/96 ⇒)	
AIR INTAKE AND FILTER GASOLINE AND LPG	
ALTERNATOR GASOLINE, LPG, AND DIESEL	
ALTERNATOR TYPES GS, LPS, AND DS	
AUXILIARY FUNCTION TUBE TWO AND THREE STAGE FULL F	

SECTION 13 NUMERICAL INDEX

PART NO.	PAGE NO.	ITEM NO.	PART NO.	PAGE NO.	ITEM NO.	PART NO.	PAGE NO.	ITEM NO.
142	3-4	19	10-13	25		11-27	29	12-31
12445	3-32	19	10-17	6		11-31	25	3-36
	3-34	1	10-27	11		11-32	37	3-16
			11	11	16485	8-4	29	16751
			11	6		8-4	45	16849
			12	13		8-8	34	3-34
			14	6		9-7	9	3-38
			17	17		9-7	19	20
			10	10		9-11	9	3-26
			23	46		9-11	17	17
			27	46		10-9	21	36
			26	14		10-9	28	32
			28	14		10-13	16	24
			50	14		11-7	19	11-9
						11-7	19	17

SECTIONS

- FRAME
- ELECTRICAL SYSTEM
-
-
- BRAKE/ACC
-
- MAST-TWO STAGE
- MAST-THREE STAGE
- MAST-TWO STAGE
-
-

TRANSMISSION HOUSING ⇒ S/N D001H-2628

KEY:
A: Diesel
B: Gasoline and LPG

ITEM	PART NO.	DESCRIPTION	QTY	
			A	B
1	202547	Transmission	1	1
2	2023329	Transmission	1	1
3	2021670	Case	2	2
4	2023418	Bearing Cap	4	4
5	296429	Washer	4	4
6	293947	Bolt	1	1
7	2021390	Cover	2	2
8	1371656	Colter Pin	4	4
9	2021915	O-Ring	1	1
10	2021329	Plug	4	4
11	2021675	Housing	22	22
12	2021336	Pin	39	39
13	287860	Lockwasher	1	1
14	292682	Hydraulic Pump	1	1
15	2021345	⇒ Figure 5-3	1	1
16	214364	Gasket	8	8
17	296418	Bolt	1	1
18	2021388	Washer	1	1
19	2021389	Temperature Switch	1	1
20	2021383	Breather	9	9
21	292515	Dipstick	9	9
22	136692	Bolt	2	2
23	292527	Nut	3	3
24	292531	Bolt	3	2
25	292583	Capscrew	4	4
26	293637	Lockwasher	4	4
	296420	Washer	1	1
	996403	Transmission Kit (Includes Item 7)	1	1
	996405	Transmission Kit (Includes Item 14)	1	1

This Parts Manual is divided into 11 major sections which are listed above. Quick access can be made by placing the right thumb on the tab of the desired section, bending the pages to the corresponding tab.

© Copy Right Date HYSTER COMPANY See Service Manual for service procedures. 5-15

HP990004

HOW TO FIND THE DESIRED PART NUMBER

WHEN THE PART NUMBER AND THE NEXT HIGHER ASSEMBLY IS NOT KNOWN:

1. Determine the function and application of the part required. Turn to the Sections Page. Choose the general area of reference most likely to include the part.
2. Turn to the section you chose. Use the Section Table of Contents to determine the assembly which would normally contain the part required. Then locate the part on the assembly breakdown page.

WHEN THE PART NUMBER IS NOT KNOWN AND THE NEXT HIGHER ASSEMBLY IS KNOWN:

3. Determine the assembly the required part is used on. Turn to the Table of Contents (Page i).
4. Locate the assembly the required part is used on and turn to the page indicated for that assembly. Then locate the part on the assembly breakdown page.

WHEN THE PART NUMBER IS KNOWN:

5. Use the Numerical Index (Page 15-1) to find the part number. Turn to the page listed and locate the part as indicated by the item number.

GENERAL:

The assembly breakdowns include part numbers, descriptions, quantities required, keys and footnotes to help in selecting correct parts.

6. Parts Supersession Information. Part numbers that have this history will be displayed in the parts list in the order that they were superseded (from oldest to newest). The superseded part numbers will be shown with a line through them.

Five periods in the PART NO. column (.) indicate that the part is either *Not Serviced Separately* or there is a reference to another figure. A figure reference is denoted by a pointing hand followed by a figure number in the DESCRIPTION column (☞ Figure 10)

7. Keys are used to show two or more similar assemblies, RH and LH assembly parts, etc. Select the appropriate key, "A", "B", "C", "D", or "E" and the corresponding quantity column to find the required parts. Two periods in the QTY column (..) indicate that the part is not used for that assembly.
8. Indented descriptions under the DESCRIPTION column are used to indicate assemblies and

subparts of assemblies. In the example on the previous page, *BEARING CAP* (Item 2) is a subpart of the major assembly *CASE*.

9. Quantities shown are for one assembly. The quantities of the subpart *BEARING CAP* are indicated as two and two. This means two per *CASE* assembly.
10. Serial number breaks identify the most current parts information and are shown as follows:
 - **S/N D001H2628**
Indicates last serial number affected.
 - S/N D001H2629** →
Indicates the first serial number affected.
 - S/N D001H1553** ↔ **S/N D001H3291**
Indicates a range of serial numbers affected.

ECN numbers for pending serial numbers are shown to allow for the inclusion of the most current parts information and are identified as follows:

→ **S/N Pending Per ECN 63243**

Indicates a pending serial number for last unit affected.

S/N Pending Per ECN 63243 →

Indicates a pending serial number for first unit affected.

Date breaks are used to indicate when a change occurred but a subsequent serial number break was not recorded. This is an arbitrary date usually based on the ECN release and are identified as follows:

→ **D/B 3/00**

Indicates that a change occurred sometime within that month for the item affected.

D/B 3/00 →

Indicates that a change occurred sometime within that month for the item affected.

D/B 3/00 ↔ **D/B 4/00**

Indicates a range of production dates of the item affected.

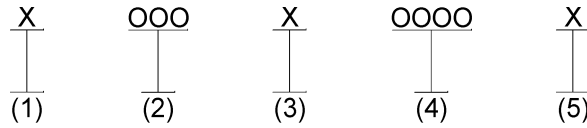
Contact your local dealer for Hyster lift trucks for serial number information for items with a ECN or a date break.

ORDERING PARTS:

When ordering replacement parts, give the unit serial number, part number, name of part and quantity required.

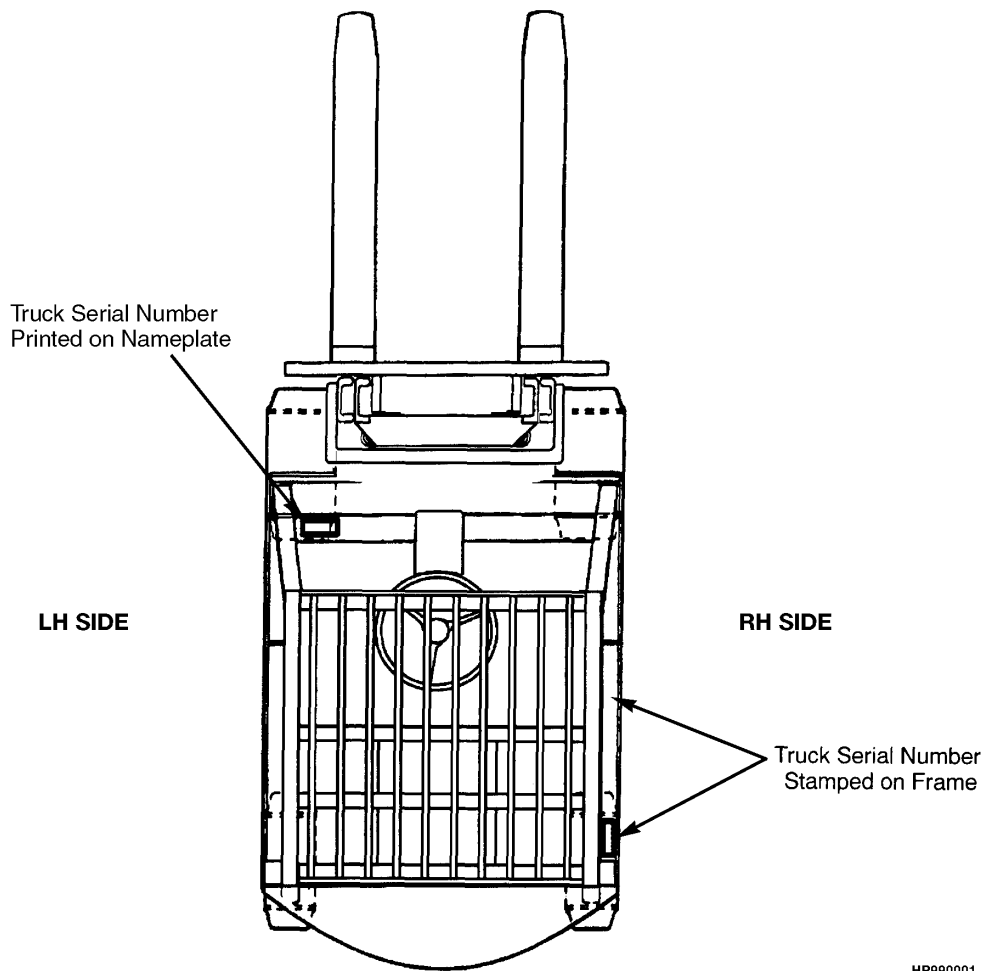
For any further information on parts, service, or ordering, consult your local dealer for Hyster lift trucks.

IDENTIFICATION OF TRUCK SERIAL NUMBERS

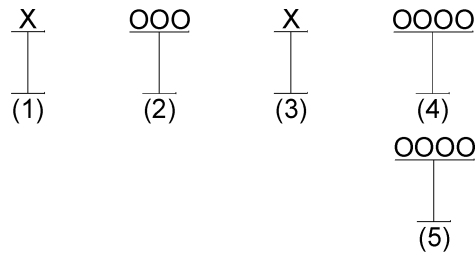


- (1) and (2) The first letter and three numbers indicate the truck unit code.
- (3) The second letter indicates the plant of manufacture.
- (4) The four or five digit number indicates the production sequence number of the truck.
- (5) The final letter indicates the year of manufacture starting with "A" in 1957, 1980, and 2003. The letters "I", "O", and "Q" will not be used.

For pending serial numbers contact your local dealer for Hyster lift trucks.



Parts referred to in this book as right or left hand parts are in accordance with the illustration above.

IDENTIFICATION OF MAST SERIAL NUMBERS

- (1) and (2) The first letter and number indicates the mast unit code.
- (3) The second letter indicates the plant of manufacture.
- (4) The four or five digit number indicates the production sequence number of the mast.
- (5) Carriage travel in millimeters stamped just below the serial number.

Mast Group identification consists of mast unit code (1) and (2) plus carriage travel (5).

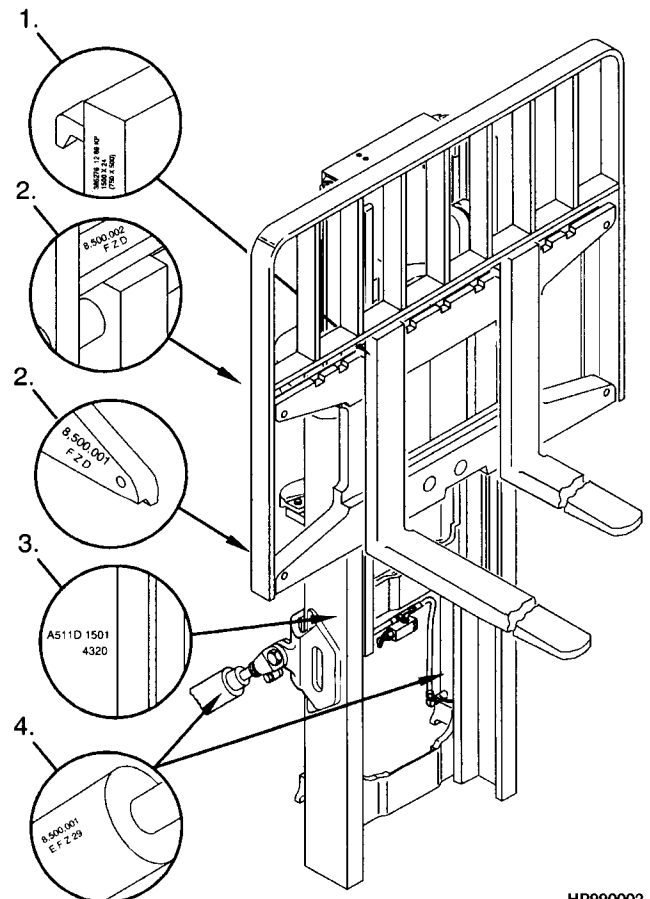
For pending production sequence numbers contact your local dealer for Hyster lift trucks.

LIFT EQUIPMENT IDENTIFICATION

1. Fork part number, capacity rating, plant code letter, and date of manufacture are stamped approximately six inches below the top of most forks.
2. The carriage group number is stamped on the right hand side of the top crossmember (pin type) or on the back of the right hand end of the bottom crossmember (hook type). A date code has two letters in line with or below the carriage group number.
3. The mast identification number has a unit code, a letter indicating the plant of manufacture, and a serial number. Underneath the production sequence number is a four digit number that indicates the carriage travel in millimeters.
4. Tilt and lift cylinder group numbers are stamped on the cylinder shell.

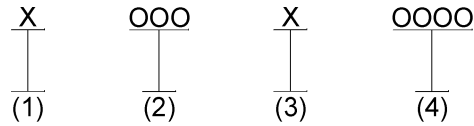
Always refer to the group, serial, or part number when ordering service parts.

Modification of masts and carriages by SPED (Special Products Engineering Department) are identified by a model prefix code beginning with the letter "S". contact your dealer for Hyster lift trucks for information on these assemblies.



HP990002

IDENTIFICATION OF ATTACHMENT AND SIDE-SHIFT CARRIAGE SERIAL NUMBERS

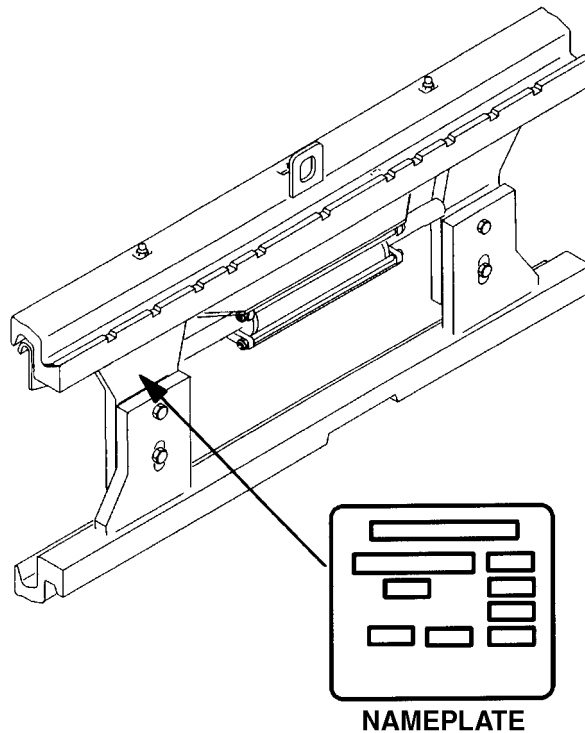


(1) and (2) The first letter and three numbers indicate the attachment unit code.

(3) The second letter indicates the plant of manufacture.

(4) The four or five digit number indicates the production sequence number.

For pending production sequence numbers contact your local dealer for Hyster lift trucks.



HP990003

Side-shift carriages and attachments have nameplates. Use the serial number found on the nameplate to identify the attachment.

Always refer to the group, serial, or part number when ordering service parts.

Modifications of attachments and side-shift carriages by SPED (Special Products Engineering Department) are identified by a model prefix code beginning with the letter "S". Contact your dealer for Hyster lift trucks for information on these assemblies.

PUBLICATIONS

Every new lift truck is provided with an OPERATING MANUAL. This manual has information that the operator must know for inspection and operation of the lift truck.

SERVICE MAINTENANCE MANUALS, which provide service and overhaul procedures, and PARTS

MANUALS with complete replacement part identification, are available at a nominal fee from your Hyster dealer to assist users in effectively maintaining Hyster lift trucks in a safe, useful condition. See the list below for information on ordering specific publications for this model lift truck.

PUBLICATION	HYSTER PART NUMBER
Operating Manual.....	4000500
Service Manual (Complete).....	4000502
Parts Manual.....	4000501